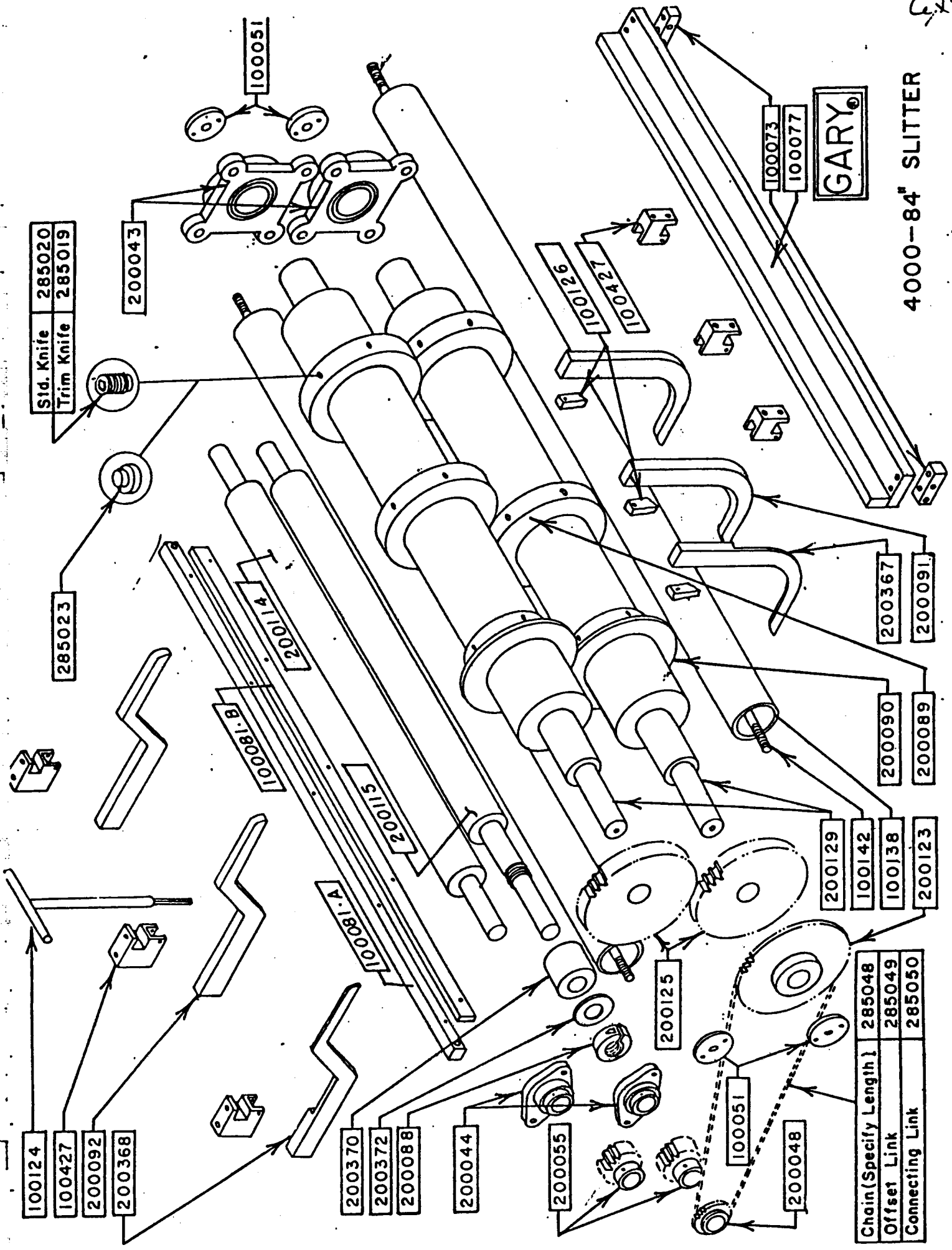


4x9

4000-84" SLITTER

GARY®



Std. Knife	285020
Trim Knife	285019

100124
100427
200092
200368

200043

100051

100081.A
200114

100081.B
200115

100081.A
200115

200370
200372
200088

200044

200055

200125

100051

200048

200129
100142
100138
200123

Chain (Specify Length)	285048
Offset Link	285049
Connecting Link	285050

200367

200091

200090

200089

100073

100077

100126
100427
100127

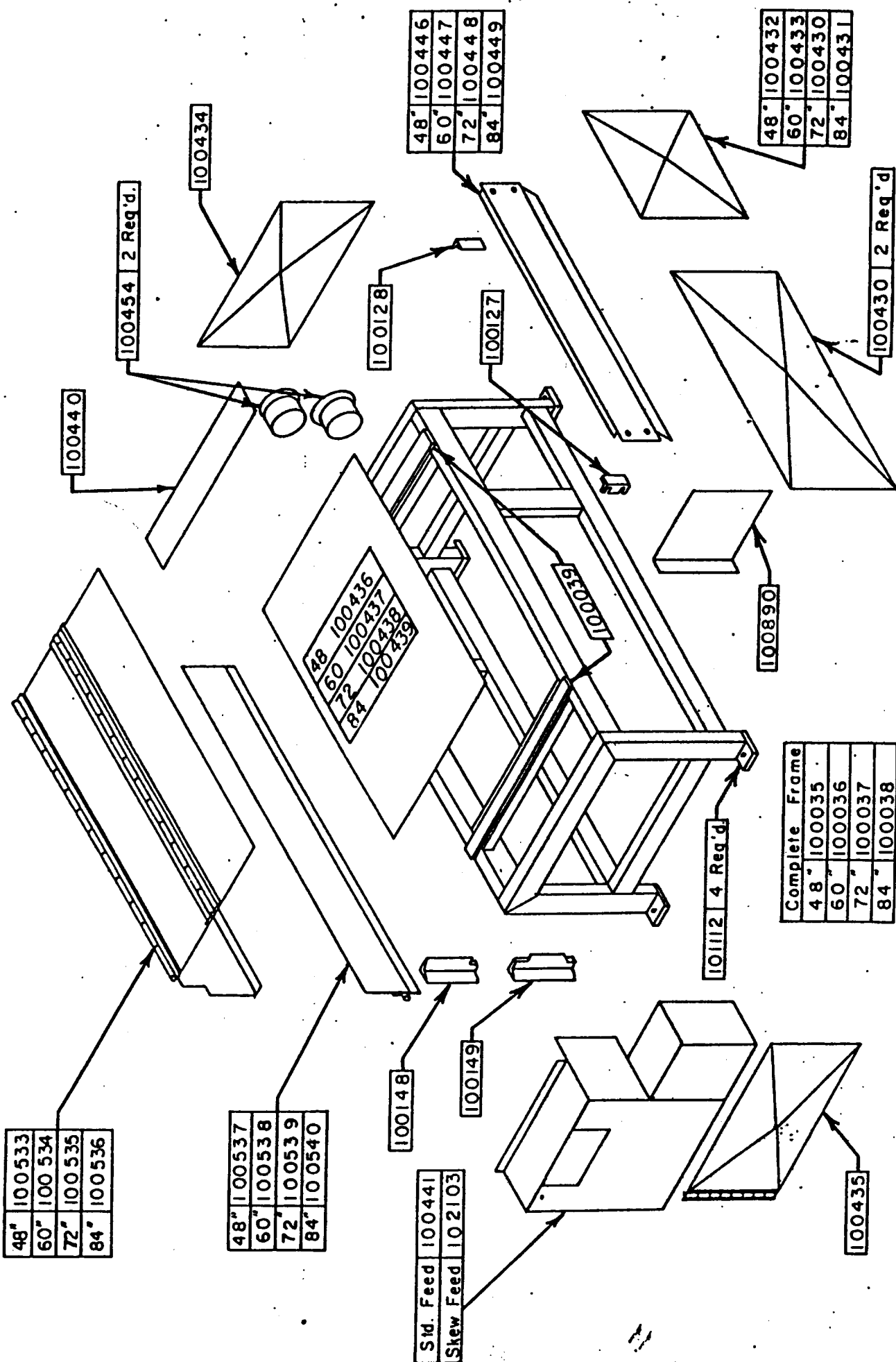
48"	100533
60"	100534
72"	100535
84"	100536

48"	100537
60"	100538
72"	100539
84"	100540

Std. Feed	100441
Skew Feed	102103

100148

100149



Complete Frame	
48"	100035
60"	100036
72"	100037
84"	100038

101112 4 Req'd

100454 2 Req'd

100434

100128

100127

100890

100430 2 Req'd

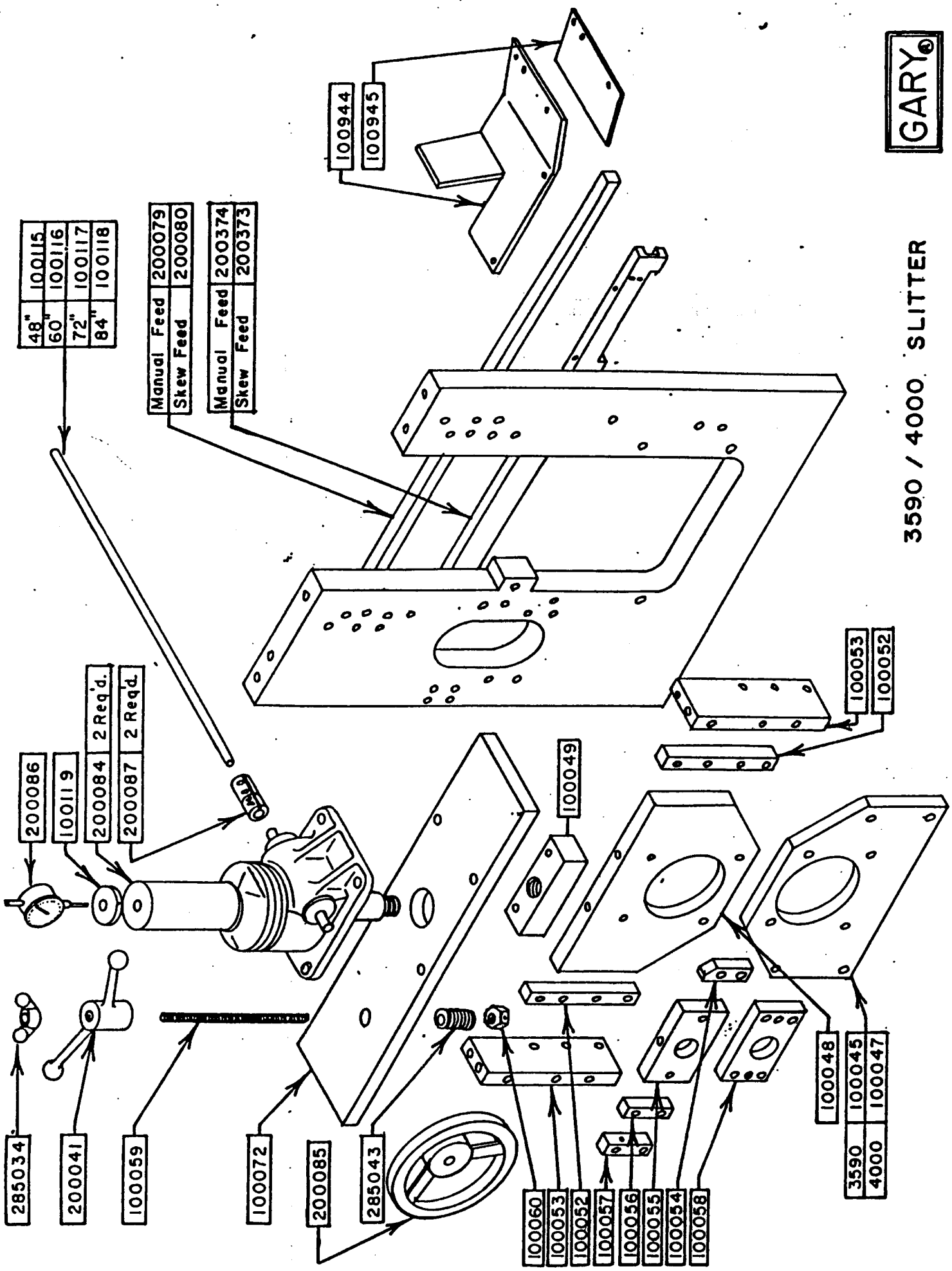
100435

48"	100446
60"	100447
72"	100448
84"	100449

48"	100432
60"	100433
72"	100430
84"	100431

3590 / 4000 FRAME AND PANELS



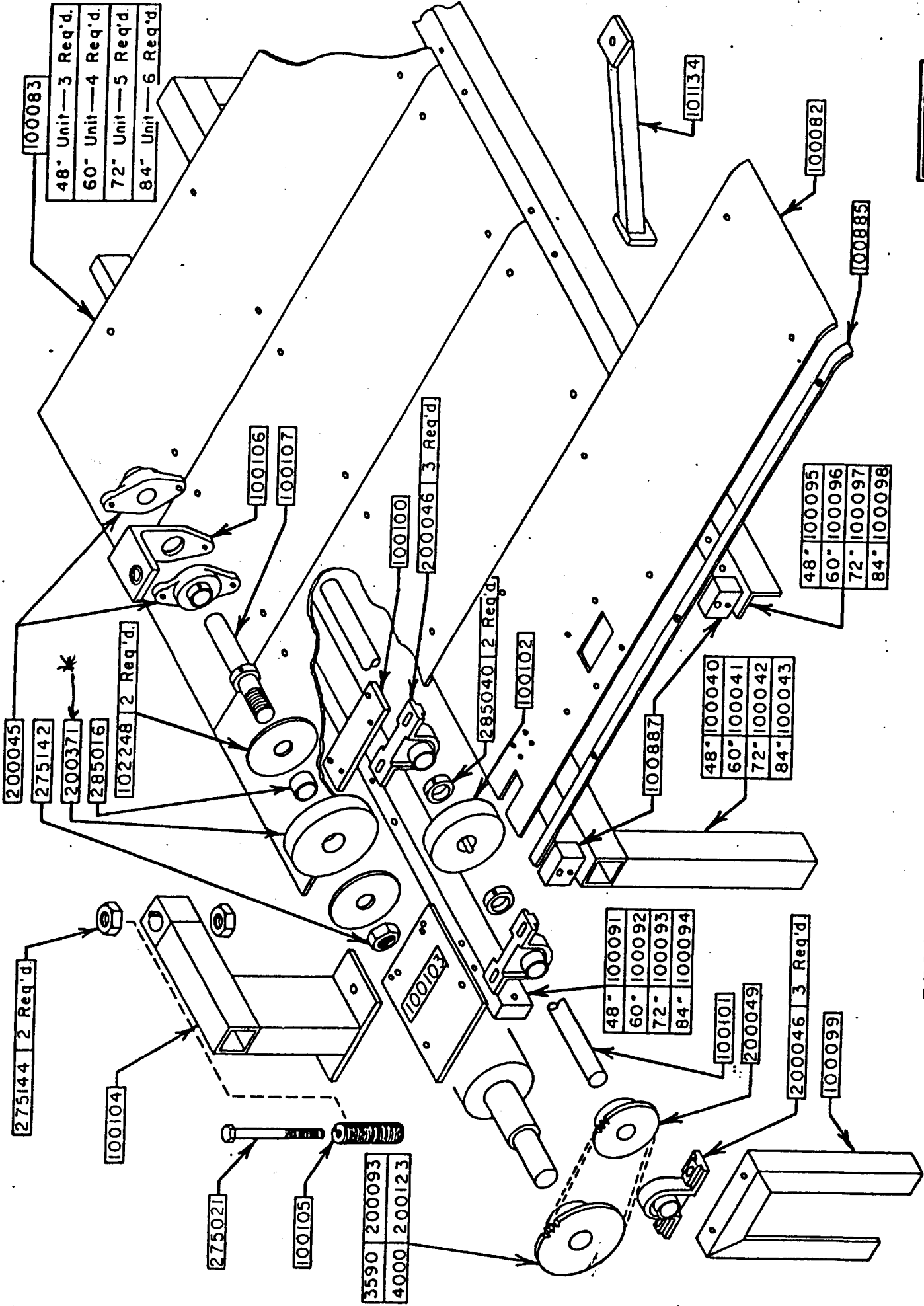


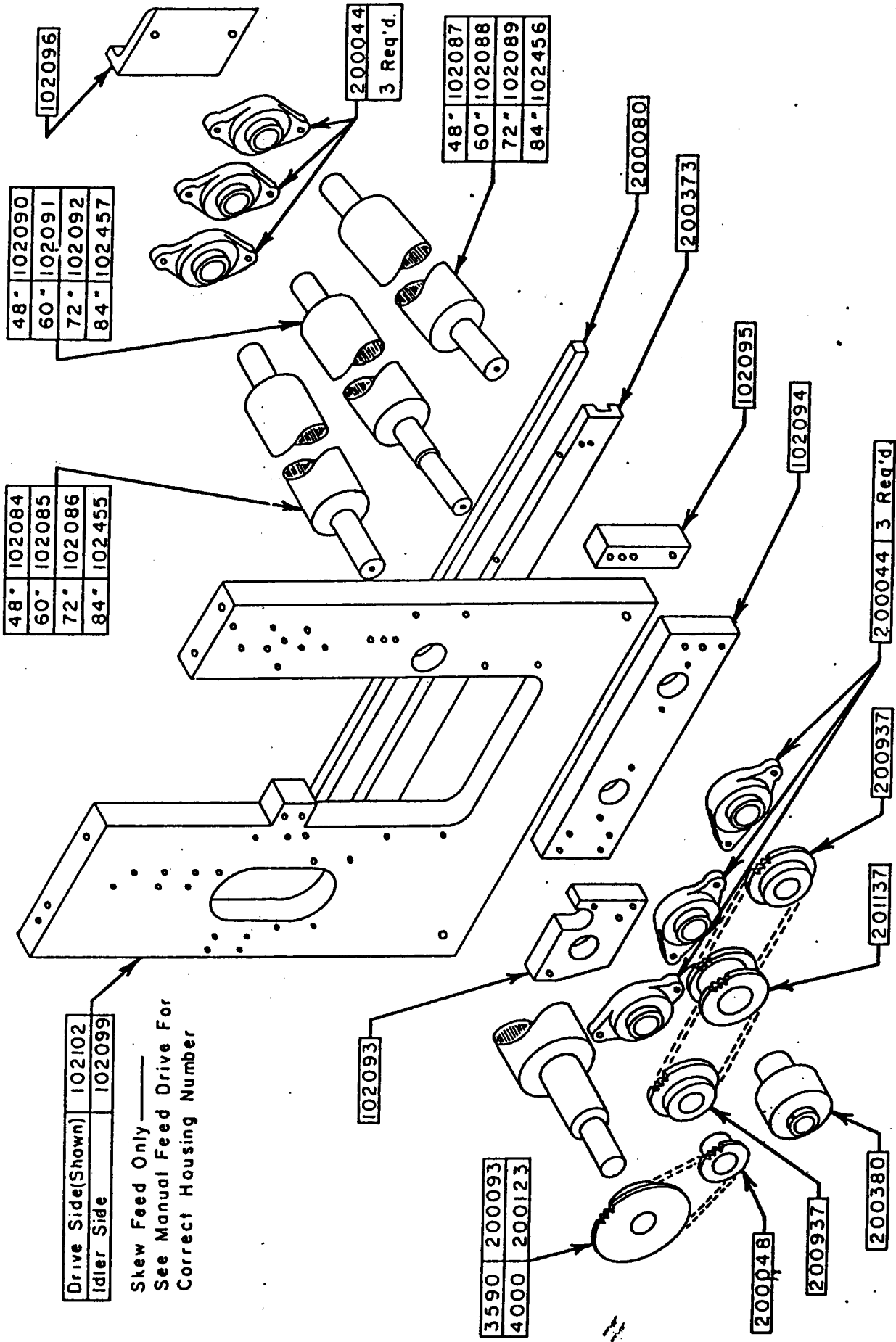
GARY®

3590 / 4000 SLITTER



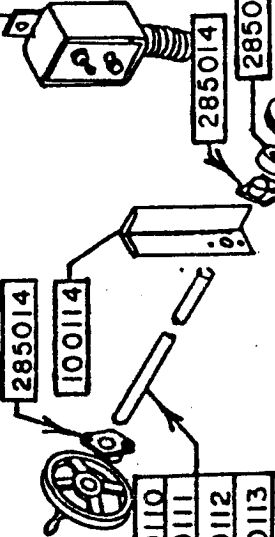
3590 / 4000 MANUAL FEED ENTRY DRIVE





3590 / 4000 SKEW FEED ENTRY DRIVE

2 Position Selector	285163
Repl. Contact Block	285162
Pendant Assembly	100428
Repl. Toggle Switch	285092
Repl. Push Button	285093
Repl. Coil Card	285146

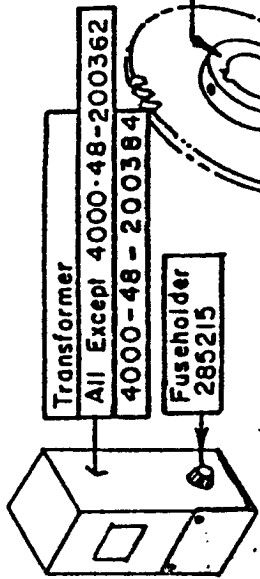


ALL 48"	100110
60"	100111
72"	100112
84"	100113

200047	Chain (Specify Length)
285048	Offset Link
285049	Connecting Link

200050	Chain (Specify Length)
3590-48"	200122
3590-60,72"	200103
4000-All	202460
3590-48"	200117
3590-60,72"	200098
4000-48"	200216
4000-60,72,84"	202457

3590-48"	200121
3590-60,72"	200102
4000-48"	200062
4000-60,72,84"	200121



3590-48"	200120
3590-60,72"	200101
4000-48"	200218
4000-60,72,84"	200120

100778	Chain (Specify Length)
3590-60,72"	200099
3590-48"	200118
4000-All	200118

3590-All	200054
4000-48"	200303
4000-60,72,84"	200054

All Except 4000-48"	Chain (Specify Length)
285051	Offset Link
285052	Connecting
4000-48"	Chain (Specify Length)
285218	Offset Link
285219	Connecting Link
285220	Connecting Link

4000-48"	Sprocket	200361
60,72,84"		200359
3590 All		200359
Bearing-All Units		200360
Tensioner Base-All		200358
Tensioner Shaft		200666
Bronze Thrust Washer		200723
Set Collar		285041

3590-48"	200094
3590-60,72"	200095
4000-48"	200058
4000-60,72,84"	200124
3590-48"	200119
3590-60,72"	200100
4000-48"	200217
4000-60,72,84"	200119

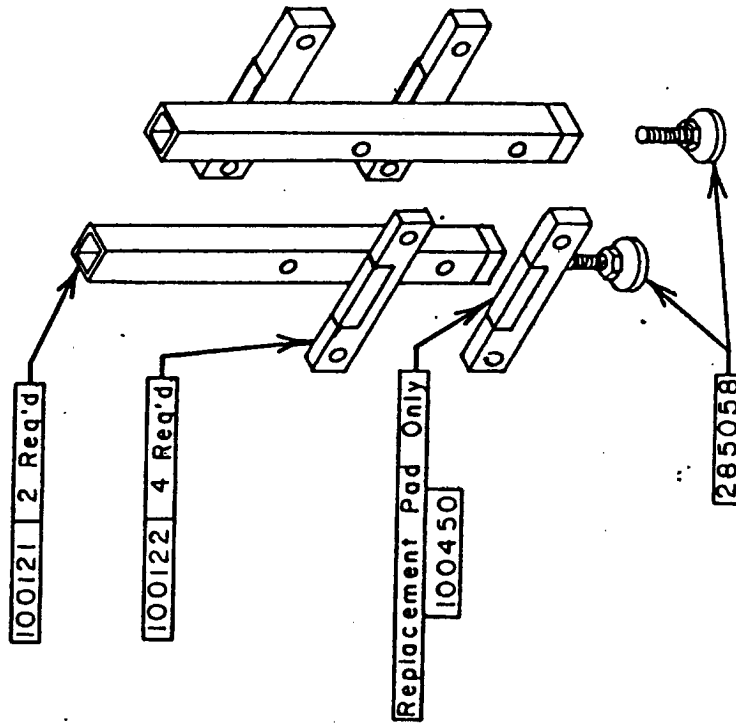
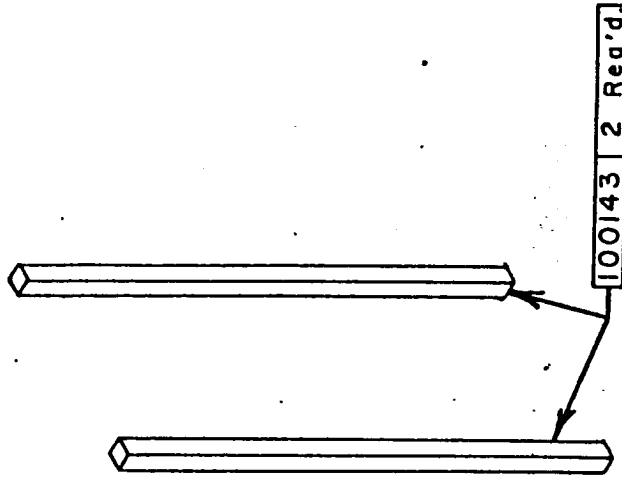
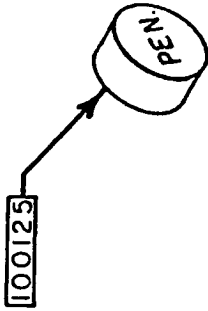
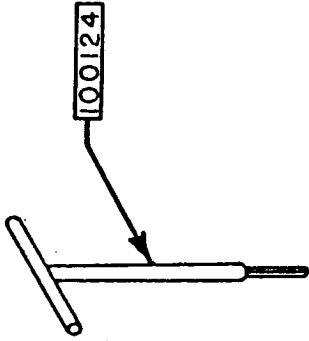
Mount Pad	3590-60,72"	185001
	3590-48"	185004
	4000-All	185004

3590-60,72"	285001
3590-48"	285006
4000-All	202457

3590-48"	200116
3590-60,72"	200097
4000-All	202458



**MODEL 3590 / 4000 SLITTER
MAIN DRIVE**



AEROSOL GEAR GREASE (Not Shown) 285204



3590 / 4000 MAINTENANCE ACCESSORIES